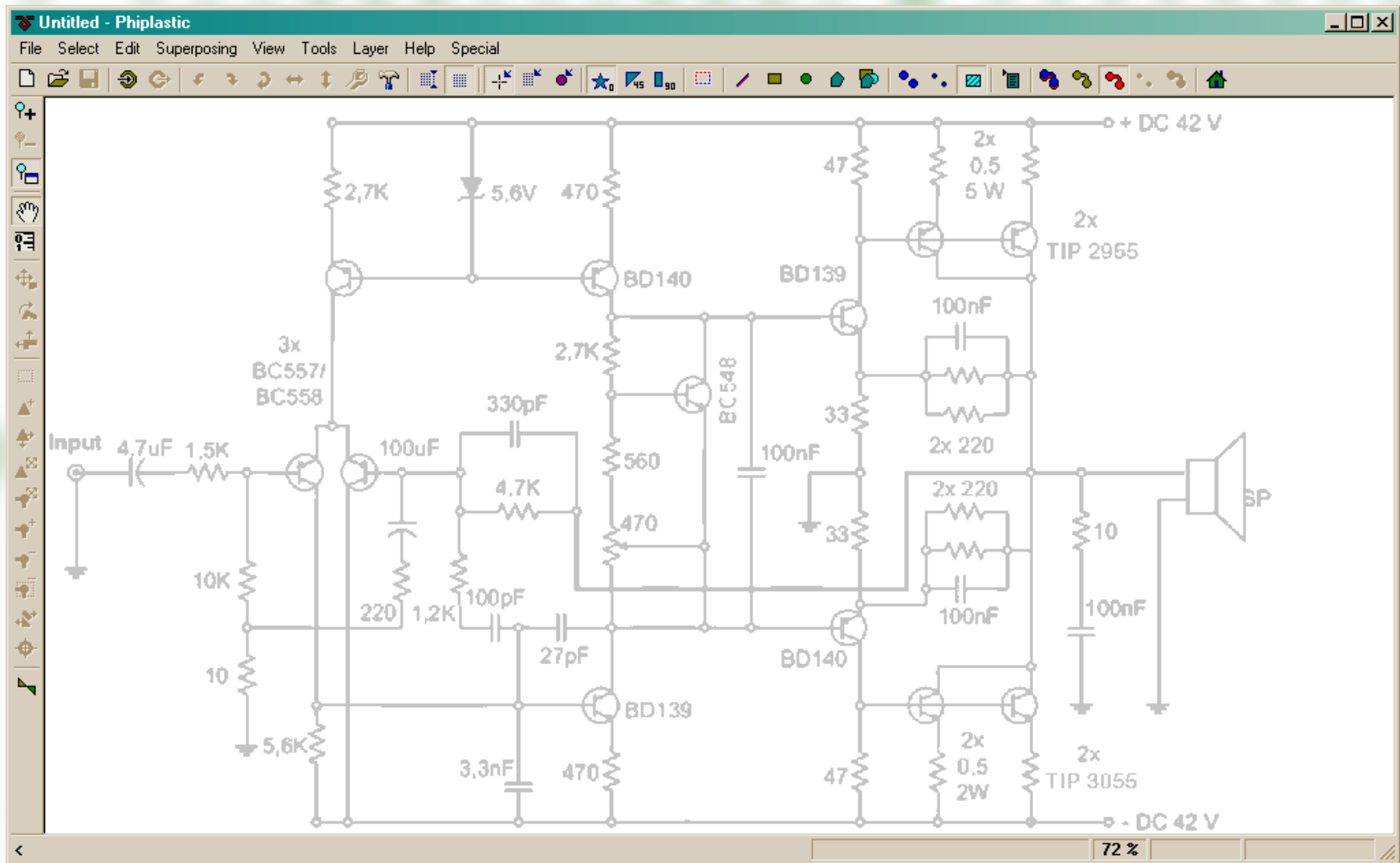




# Comparing drawings with **Phiplastic Gold**

# Main features:

- Importing drawings from CAD/CAM systems;
- Scanning drawings from paper;
- Automated alignment;
- Automated detection of differences.



Standard drawing is scanned from **Phiplastic**

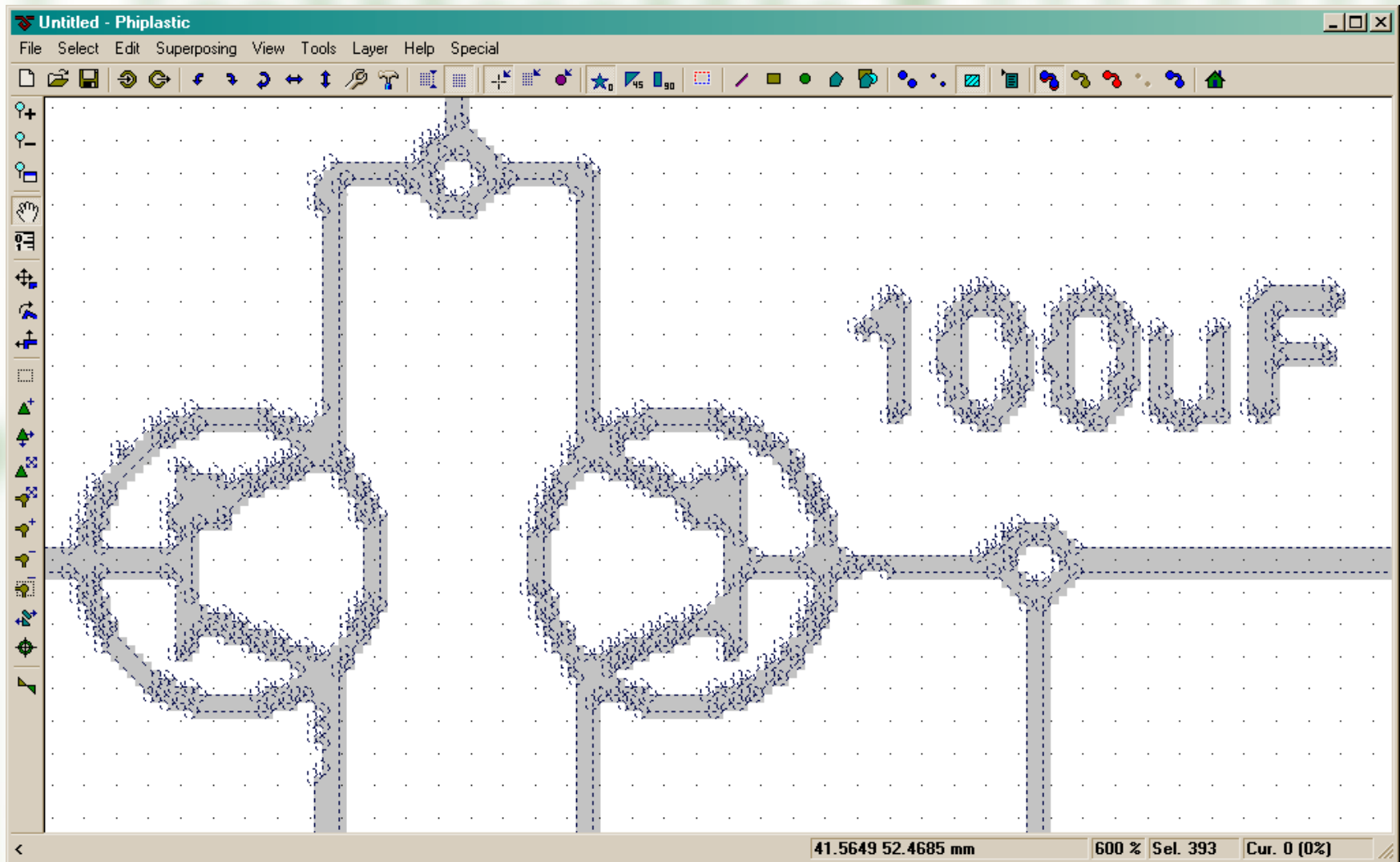
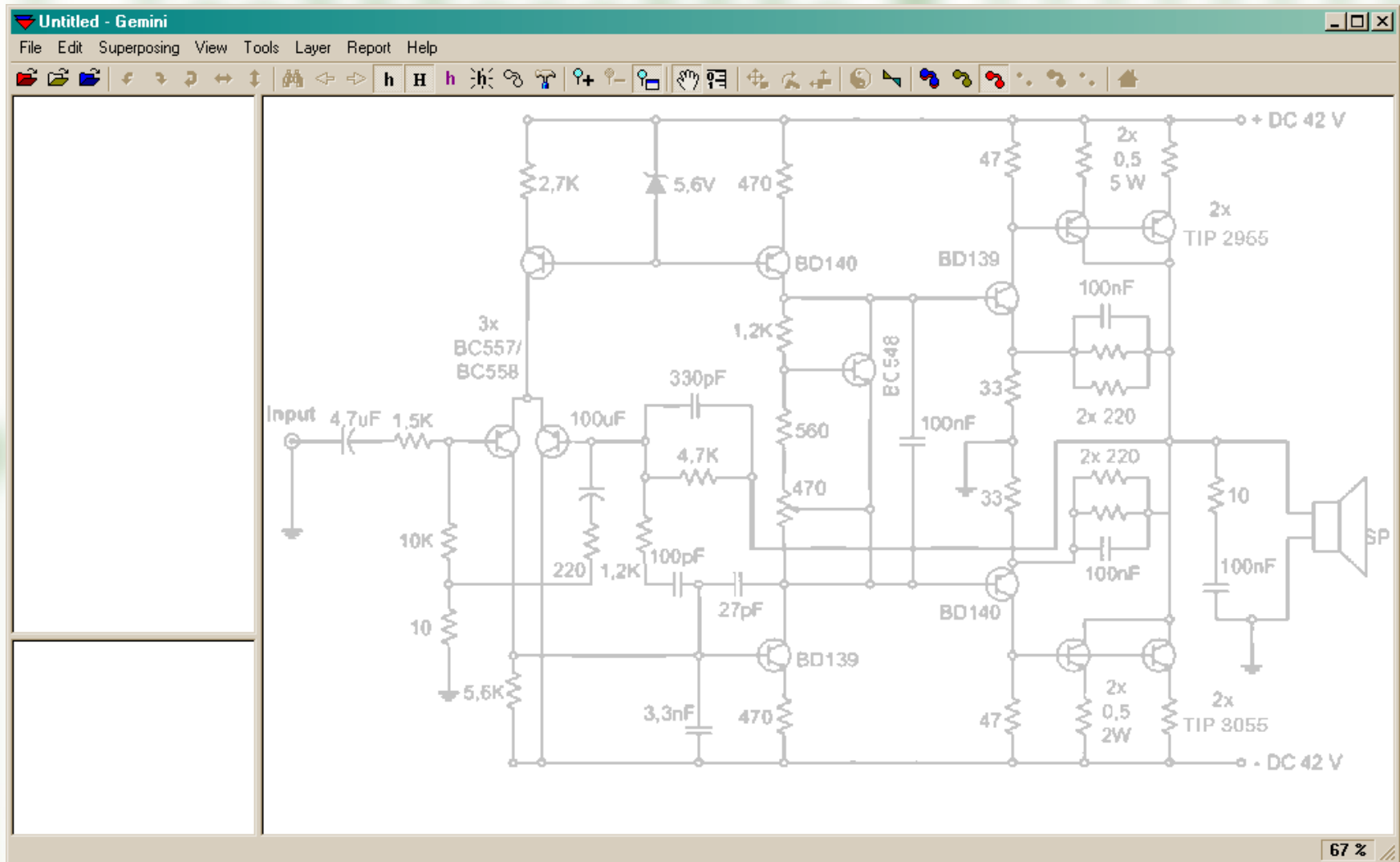
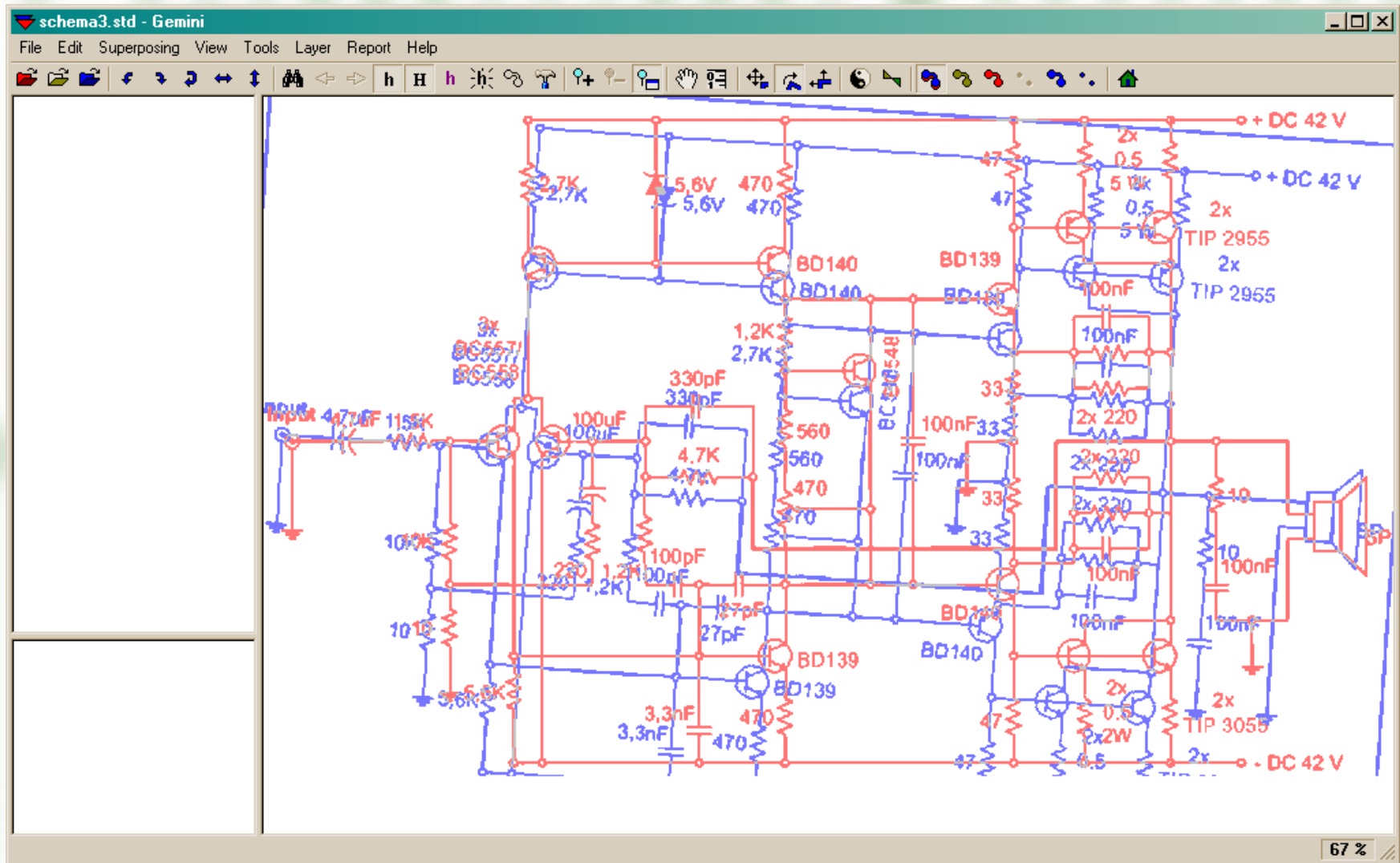


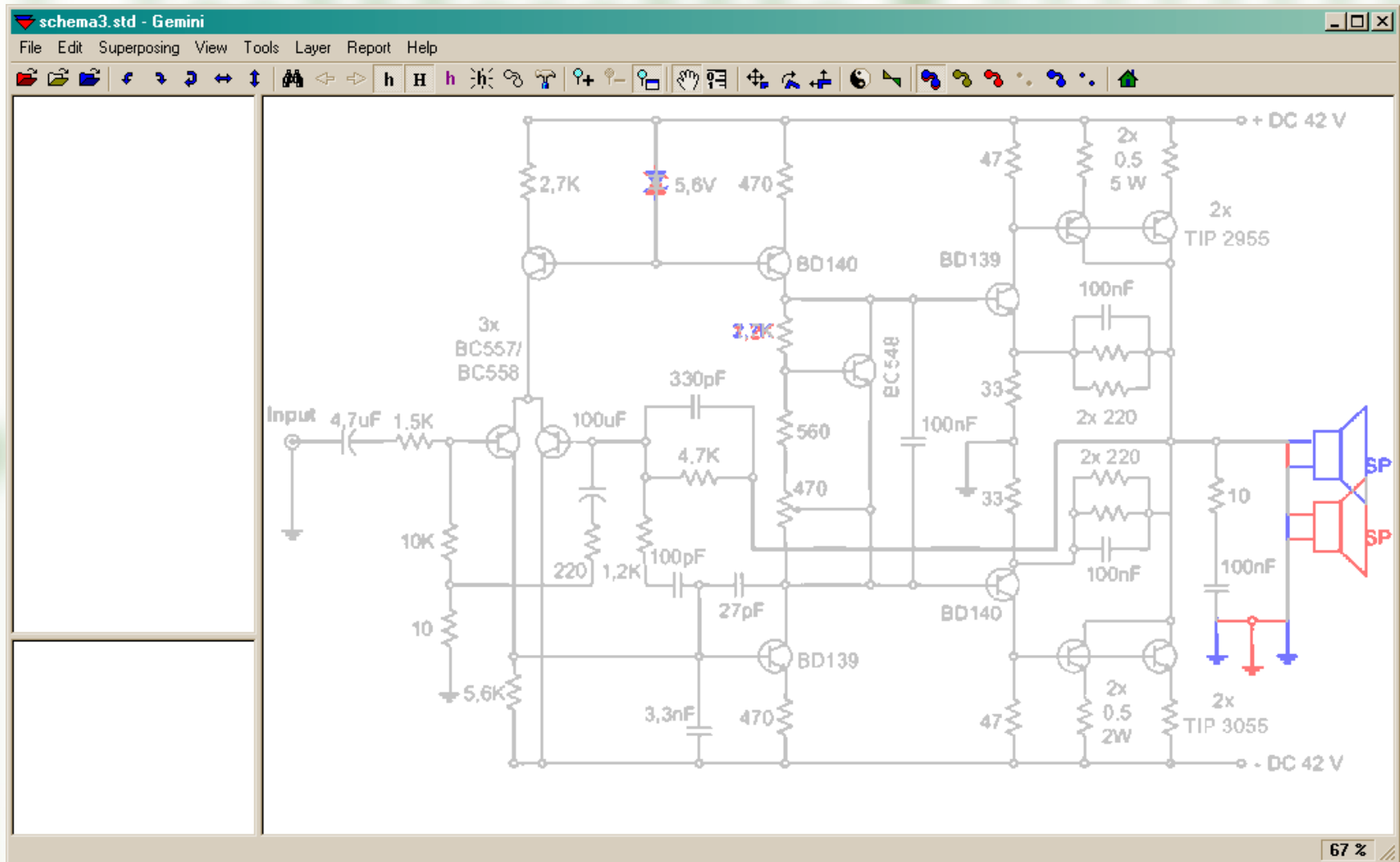
Image is converted to polygons and standard is saved



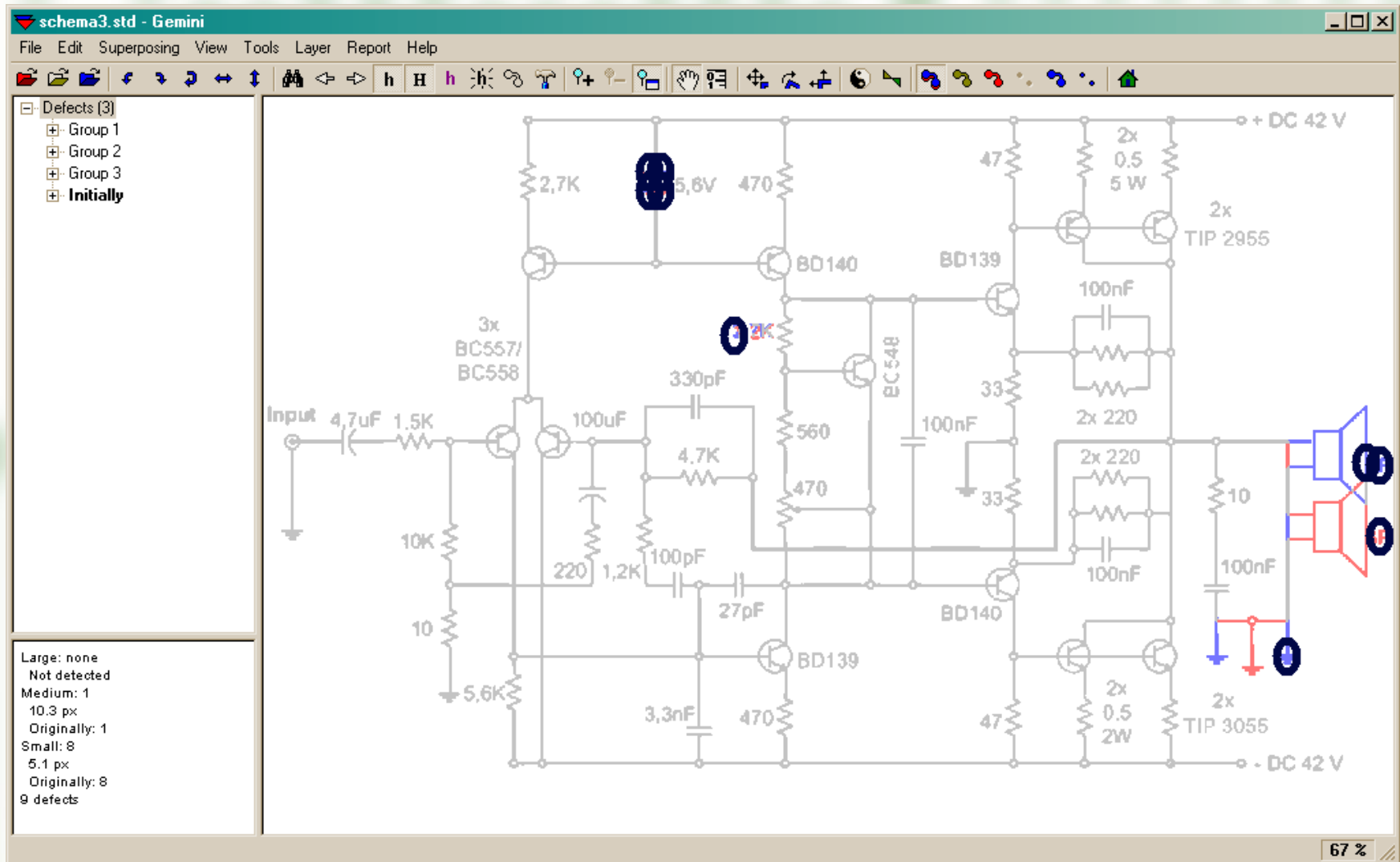
Inspected drawing is scanned from **Gemini**



Standard created in Phiplastic is opened

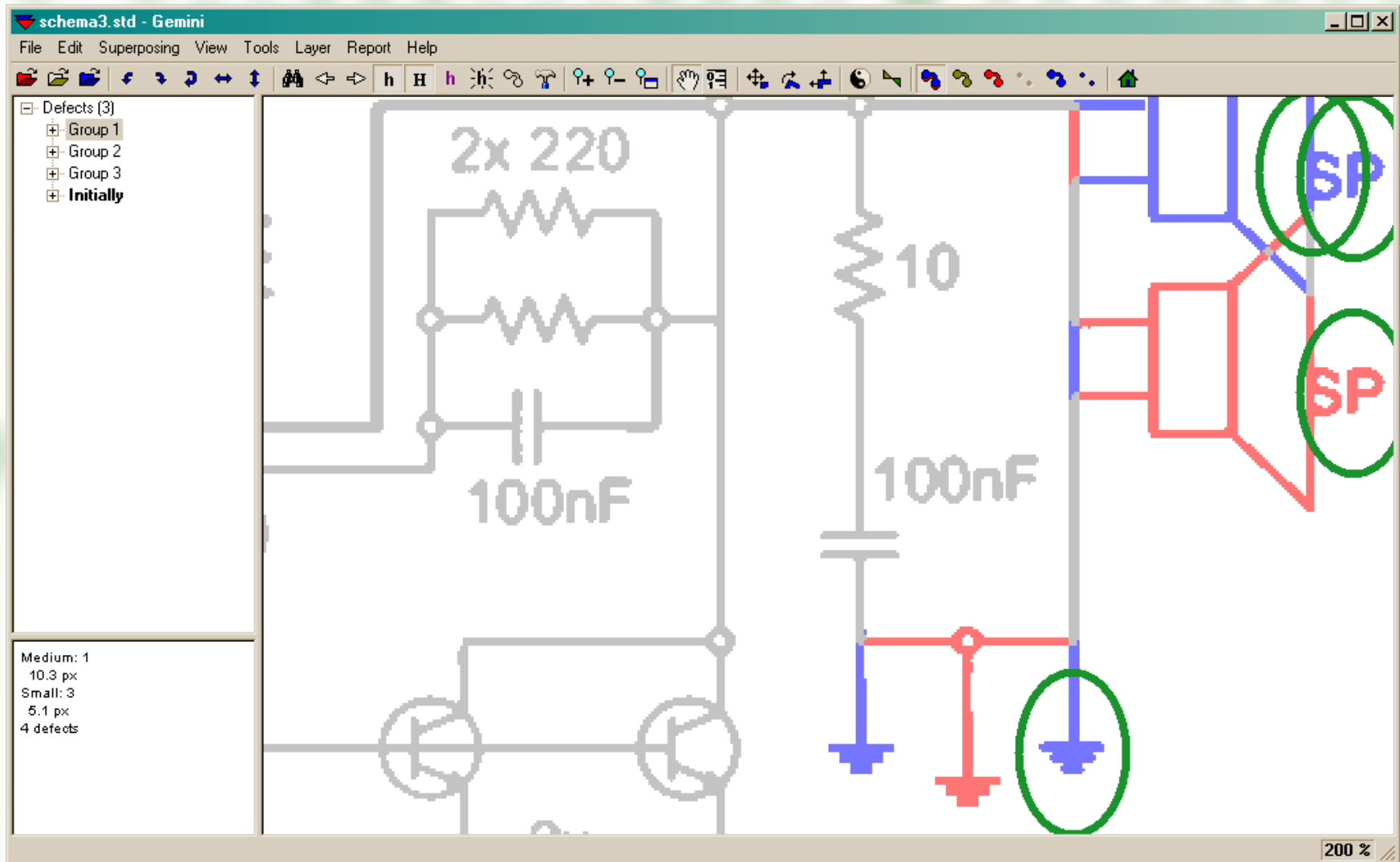


Drawings are automatically aligned. Large differences are already visible.

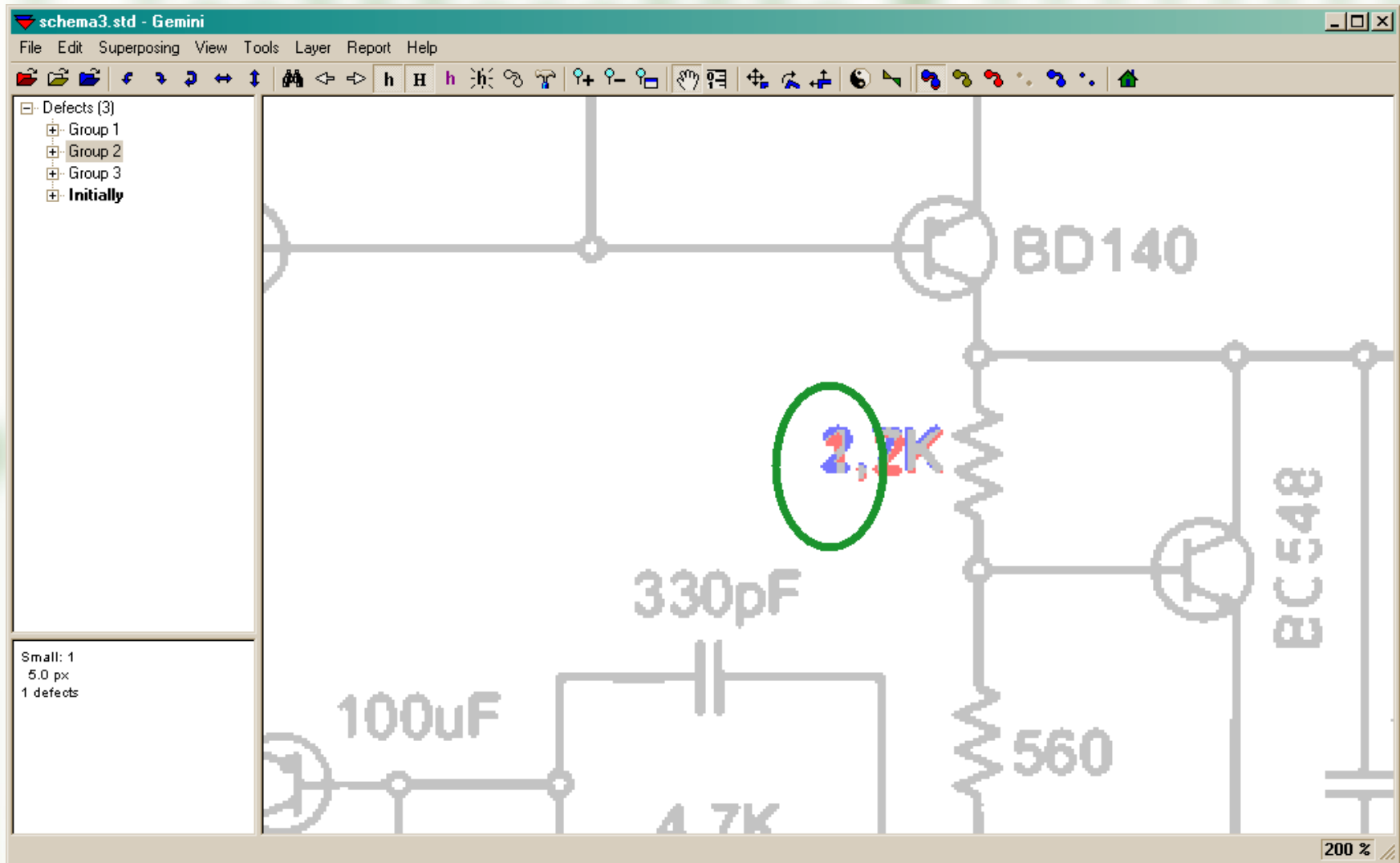


Automated difference detection makes sure that we will not miss anything

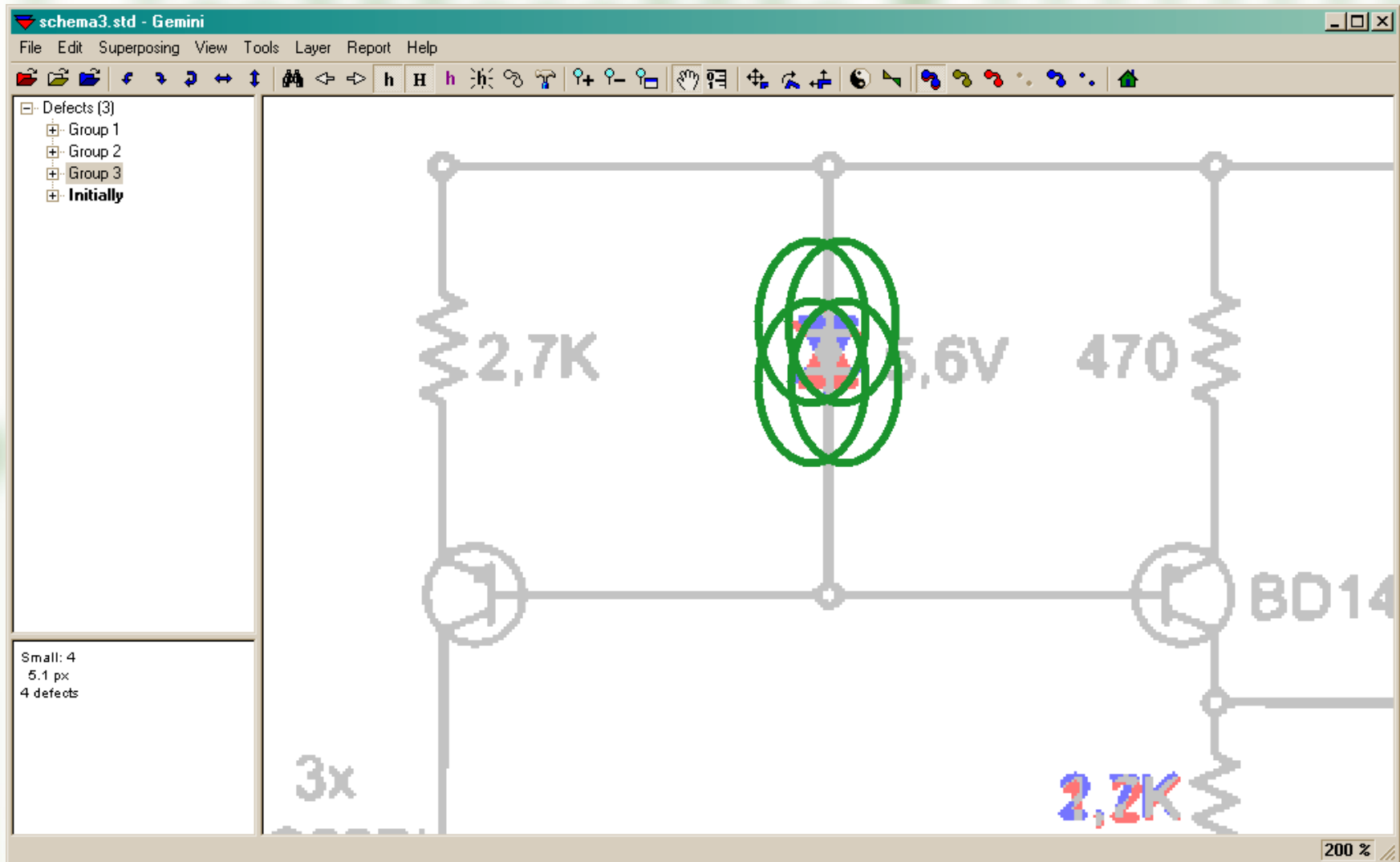




All differences can be reviewed sequentially as simple as pressing the space key



Resistor value has changed



Polarity of voltage-reference diode has changed

# Advantages

- Comparing drawings as images.
- Differences of any size are automatically revealed.
- Comparing scanned and vectorial images in any combinations.
- High speed.
- Low cost.

[www.phiplastic.com](http://www.phiplastic.com)

[www.eurointech.ru](http://www.eurointech.ru)